

# Air Conditioning

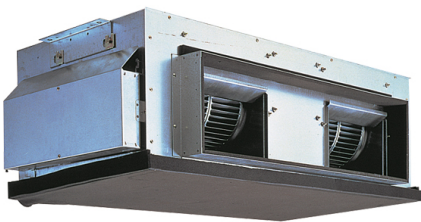
## Product Information

### PEA-RP400GAQ : Standard Inverter Heat Pump

R410A Large Capacity Ceiling Concealed Ducted System



The Standard Inverter range offers customers all the features and benefits of inverter technology whilst being cost effective



## FEATURES



### INDOOR

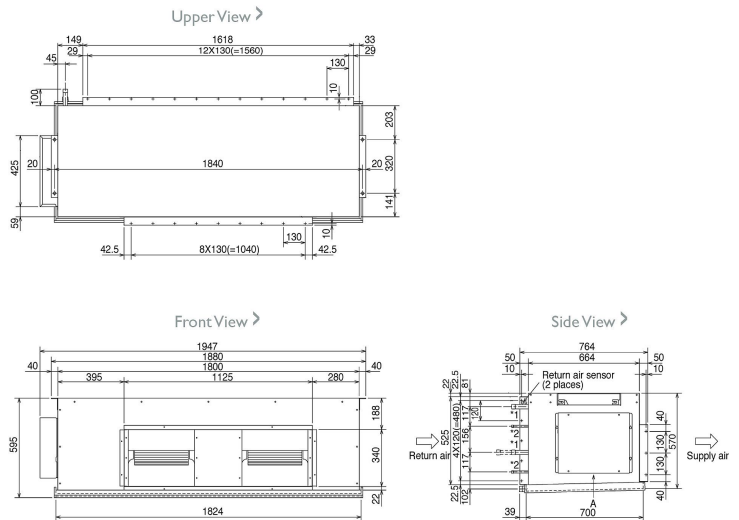
Heating Capacity (kW) (nominal)	44.8 (19-50)
Cooling Capacity (kW) (nominal)	38 (18-44.8)
Heating Capacity (kW) (UK)	38.1 (16.15-42.5)
Cooling Capacity (kW) (UK)	34.95 (16.55-41.2)
SHF (nominal & UK)	0.75
COP / EER (Nominal)	3.14 / 2.72
Energy Label Heating / Cooling (nominal)	D / D
Airflow (m <sup>3</sup> /min)	120
Pipe Size Gas (mm [in])	28.58 (1 1/8") X2
Pipe Size Liquid (mm [in])	9.52 (3/8") X2
External Static Pressure (Pa)	150
Sound Pressure Level (dBA)	52
Dimensions (mm) Width x Depth x Height	1947 x 764 x 595
Weight (kg)	130
Electrical Supply	380-415V, 50HZ
Phase	THREE
Power Input (kW) nominal / UK	1.55 / 1.38
Starting Current (A)	8.7
Running Current (A) [MAX]	3.8 [4.6]
Fuse Rating (BS88) - HRC (A)	10
Mains Cable No. Cores	5
Interconnecting Cable No. Cores	3

### OUTDOOR

Sound Pressure Level (dBA) Heating / Cooling	59 / 59
Weight (kg)	126
Dimensions (mm) Width x Depth x Height	950 x (330+30) x 1350
Electrical Supply	380-415V, 50HZ
Phase	THREE
System Power Input (kW) Heating / Cooling (nominal)	14.27 / 13.97
System Power Input (kW) Heating / Cooling (UK)	12.70 / 11.88
Starting Current (A)	5
System Running Current (A) Heating / Cooling [MAX]	9.88 / 9.47 [19.0]
Fuse Rating (BS88) - HRC (A)	20
Mains Cable No. Cores	5
Max Pipe Length (m)	70
Max Height Difference (m)	30
Charge R410A (kg) - Pre-charged Length (m)	5.8 - 30

### DIMENSIONS

PEA-RP400GAQ



### DIMENSIONS

PUHZ-P200YHA3

